

Tablet Counter

ITC-Duo

Simple and Speedy,

ITC-Duo counts how many tablets in the cassette.

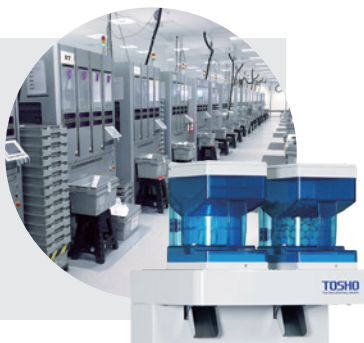


Simple

Simple and Speedy, ITC-Duo counts tablet quantity inside the cassette.

Place the cassette on the ITC-Duo, press START button then it automatically counts the quantity of tablets. After making count, the tablets will fall into the cup underneath.

ITC-Duo can count the 2 cassettes at the same time, large volume quantity tablets can be count efficiently. It is suitable for those dose production center with large production volume.



* Cassettes and cups are the sample image.

Accurately count tablets

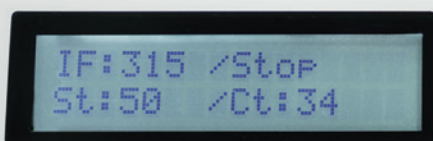
Accuracy

✓ Just counting mode

Count the total number of tablets in the cassette.

✓ Set counting mode

Dispense out the specified number of tablets from the cassette and drop them into the cup.

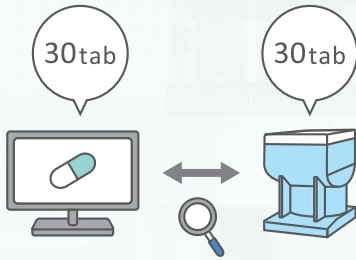


Set counting No.

Current counting No.

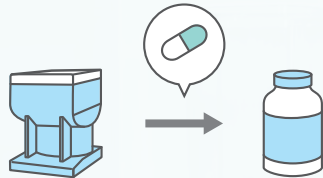
* The above photo shows "Just-counting mode" operation screen.

What ITC-Duo can do to make a smooth dispensing operation.



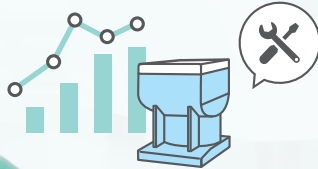
Medicine stock inventory Just counting mode

To check if there is any discrepancy in between the counting value and the theoretical value. ITC-Duo is useful tool when the inventory management is strict on those drugs like narcotics or expensive tablets.



For unit-dose dispensing Set counting mode

ITC-Duo can be used for unit-dose dispensing, for example for a discharging patient. From the cassette, ITC-Duo dispense as necessary quantity of tablets into vial-bottle to give out to the patient.



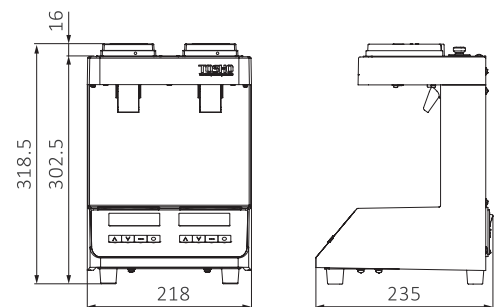
Cassette calibration Just counting mode Set counting mode

Using ITC-Duo, dispense multiple tablets to do the cassette test. Check the cassette working properly and make cassette adjustments if necessary. Prevents cassette defects and contributes to the operating rate of dose dispensing machines.

Specification

Specification		
Product Name	Tablet Counter	
Model	ITC-Duo	
Body size *1	W218mm × D235mm × H318.5mm (Cassette on top=H416.9mm)	
Weight	5.0 kg	
Power cable	Ground	Yes
	Cable length	3m
Power Voltage	110-130V,220-240V	
Frequency	50Hz/60Hz	
Fuze	HBC AC 100V 1.6A ×2	
Built-in power supply	DC12V Switching power supply ×1	
Max power consumption	12VA	
External connection device	PC (USB) *2	
Feederbase (Cassette size)	FB-04 ×2 (for BC2 cassette)	
Installation environment	Inside room environment	
	Operating temperature : 15-35°C	
	Operating humidity : 20-60%	
	Altitude: Under 2000m	
safety standard	UL standard conformity	
	CSA standard conformity	
	EN standard conformity	
Other specification	Noise level : Under 70dB	
	Voltage fluctuation range : ±10%	

Size (mm)



Accessories



*Note: Cassettes and Cups are not included and sold separately.

*The specification and configuration may change without any notice due to modification.

*1 Protrusions such as screws are not included in the body size.

*The color appeared in the catalog might be different in the actual product.

*2 Not included with the ITC-Duo. It must be purchased separately.

*The contents of the catalog are current as of May 2023.

TOSHO
Your best pharmacy solution

TOSHO Inc.

[Head Office] 3-8-8, Higashi-Kojiya, Ohta-ku, Tokyo 144-0033 Japan
[Tel] +81-3-3745-0790

Toشو official website ▶
<https://www.tosho.cc/en>

